

ETS-N300

Air CPU cooler



ETS-N30R-TAA

ETS-N30R-HE

ETS-N30II

Air CPU cooler



- ▶ 9cm fan compact air CPU cooler
- ▶ 150W TDP supported
- ▶ Perfect RAM compatibility

ENERMAX ETS-N30II is a compact 9cm fan side flow air CPU cooler created for small systems. The asymmetric heat pipes construction ensures perfect RAM compatibility. The heat sink incorporates with patented VGF (Vortex Generator Flow), VEF (Vacuum Effect Flow) structure, and HDT (Heat pipe Direct Touch) to ensure rapid heat absorption from CPU. ETS-N30II is the optimal stock cooler replacement to cool your home and office desktop pc's processor.

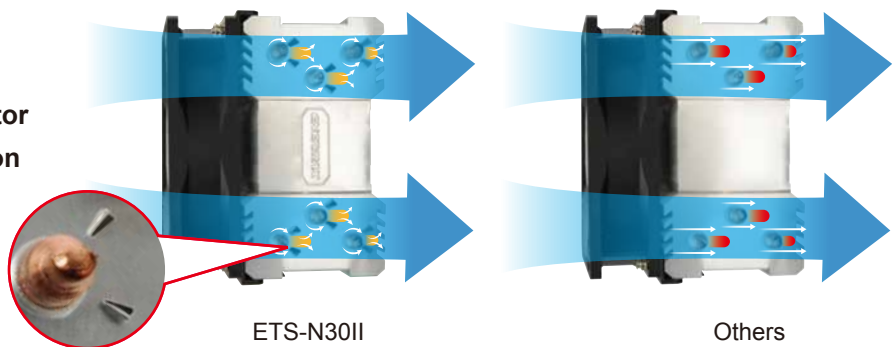


Features



- ▶ Asymmetric heat pipe design to ensure perfect RAM compatibility

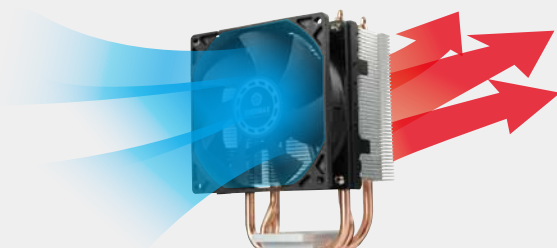
- ▶ Patented VGF (Vortex Generator flow) to increase air convection around the heat pipe



ETS-N30II

Others

- ▶ Unique air path creating high VEF (Vacuum Effect) to optimize the airflow

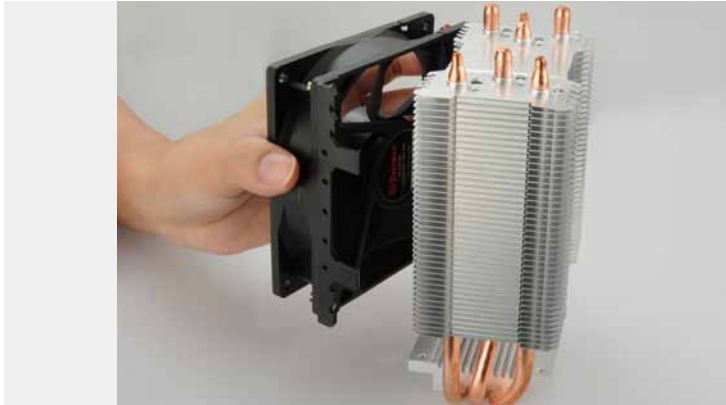


ETS-N30II - No air leaks from sides



Others - Cooling air leaks from sides

- ▼ HDT (Heat-pipe direct touch) technology to ensure rapid thermal conduction and eliminate CPU hot spots



- ▼ "1-clip" fan bracket design for user-friendly installation

- ▼ Dow Corning® TC-5121 thermal grease ensures the perfect thermal conduction

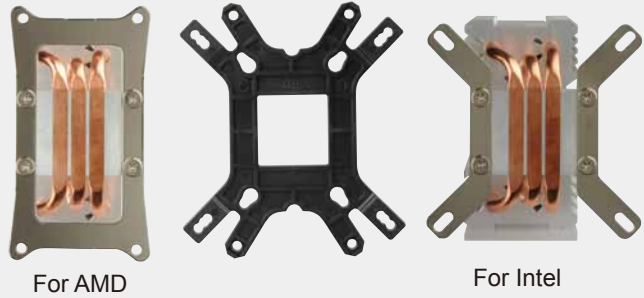


- ▼ Fan RPM reduction adaptor lower the noise by 25% (ETS-N30R-HE only)

- ▼ Patented circular type LED fan with 12 diodes for utmost and eye-catching light effects (ETS-N30R-TAA only)

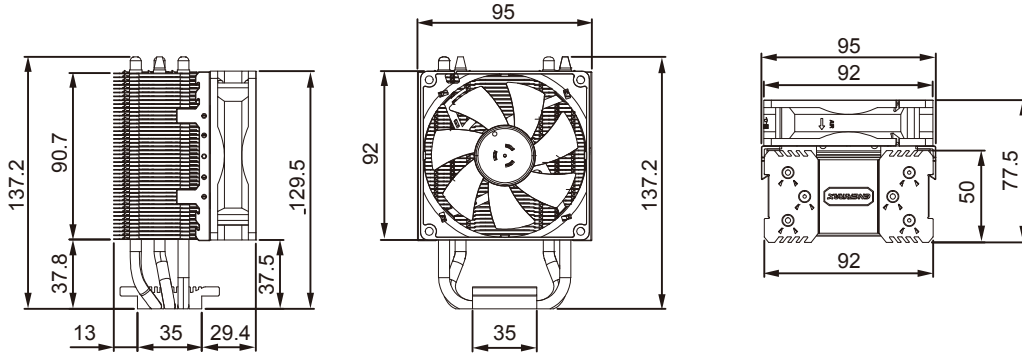


 All-in-one back-plate design offers universal AMD & Intel desktop CPU compatibility



Dimensions

unit:mm



Specifications

Model Name		ETS-N30R-HE	ETS-N30R-TAA
Compatible Socket		Intel® LGA 775/1150/1151/1155/1156/1366/2011/2011-3, AMD® AM2/AM2+/AM3/AM3+/FM1/FM2/FM2+	
Dimension		95(L) × 77.5(W) × 137.2(H) mm	
Heat Pipe		3 x Ø6 mm	
Material		Copper Heat Pipes / Aluminum Fins	
Thermal Grease		Dow Corning® TC-5121	
Fan	Dimension	92 × 92 × 25 mm	
	Speed	800~2800 RPM 600~1800 RPM (w/ fan adaptor)	800~2800 RPM
	Air Flow	15.9~55.4 CFM ; 27~94.1 m ³ /h 9.3~30.8 CFM ; 15.9~52.3 m ³ /h (w/ fan adaptor)	14.5~50.8 CFM 24.6~86.3 m ³ /h
	Static Pressure	0.36~4.37 mmH ₂ O 0.18~1.7 mmH ₂ O (w/ fan adaptor)	0.32~3.86 mmH ₂ O
	Rated Voltage	12V	
	Noise Level	16~28 dBA 12~20 dBA (w/ fan adaptor)	16~27 dBA
	Connector	4 pin PWM	
	LED	N/A	12 x Blue LED
Logistic Information			
Barcode	EAN: 4713157722119 UPC: 816163008445	EAN: 4713157722126 UPC: 816163008452	
Box Dimension	142 x 96 x 169 mm		142 x 96 x 169 mm
Gross Weight / unit	630g		630g
Carton Dimension	592 x 307 x 373 mm		592 x 307 x 373 mm
Gross Weight / Carton	19.2kg (24 units per carton)		