

REVOLUTION *SFX* ///



ERV650SWT
ERV550SWT

- Compact & powerful SFX form factor for small but high-performance system
- Smart semi-fanless control – fanless under 30% load
- 100% 105°C Japanese electrolytic capacitors



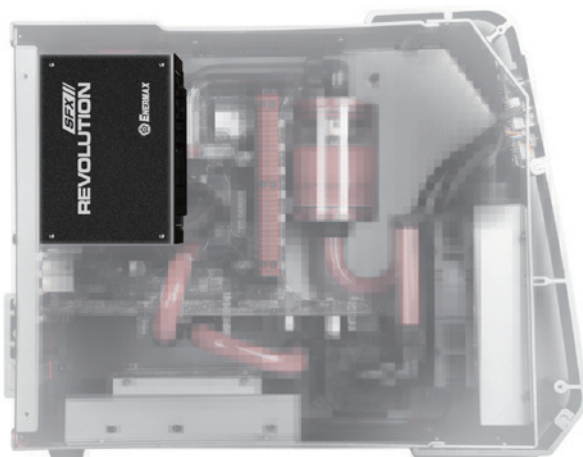
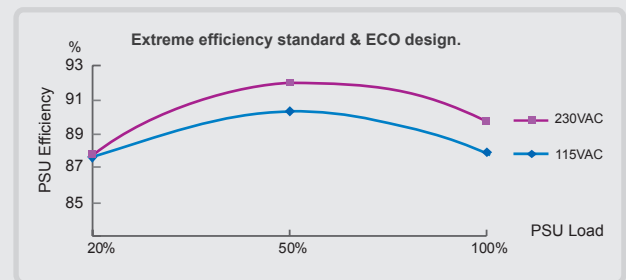
650W / 550W



Features

80 PLUS® Gold certified

Up to 92% efficiency, compliant with 80 PLUS® Gold efficiency requirement

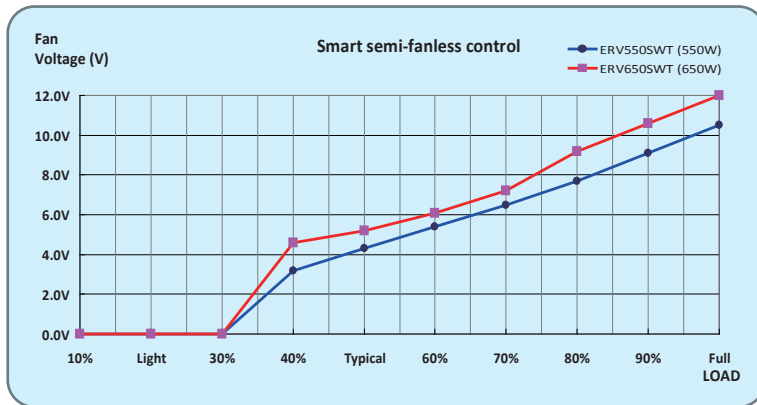
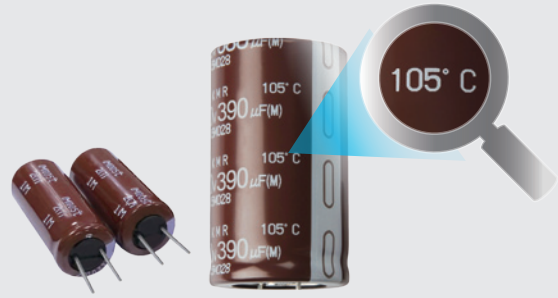


Compact & powerful SFX form factor

High density PCB design with standard SFX 100mm depth makes it a perfect power supply for compact and high-performance system

100% 105°C Japanese electrolytic capacitors

Highest component standards for maximum durability and stability



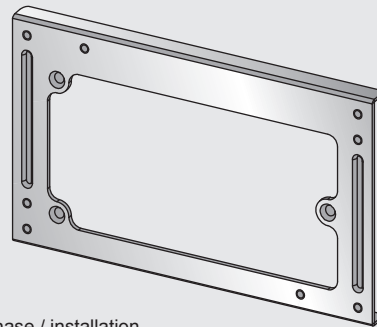
Smart semi-fanless control

Fanless mode before 30% of system load for silent operation. Once surpassing the pre-defined limit, the 80mm fan starts to spin and the fan RPM is automatically regulated according to the system load

* 80mm silent fan

SFX-to-ATX compatible installation

Handy SFX-to-ATX PSU adapter bracket is included for installation in ATX or Micro-ATX chassis*



*It is recommended to check if the length of cable is sufficient for your PC cases before purchase / installation



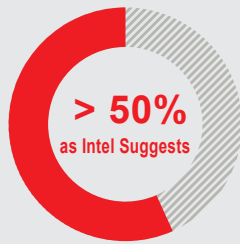
Full modular & 100% flexible flat cables

Full modular with flat cable design facilitates system installation and cable management

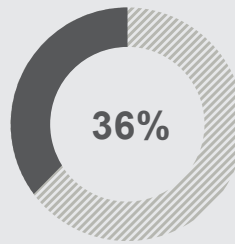
2013 ErP Lot 6 ready

Help system meet 2013 ErP Lot 6 (<0.5W at standby mode) with high efficiency +5Vsb circuitry (when used with a 2013 ErP Lot 6-enabled motherboard)

PSU +5Vsb efficiency @ 0.045A load, 230VAC



ENERMAX 2013 ErP Lot 6 Compliant PSU



Non 2013 ErP Lot 6 Compliant PSU

Zero load ready!

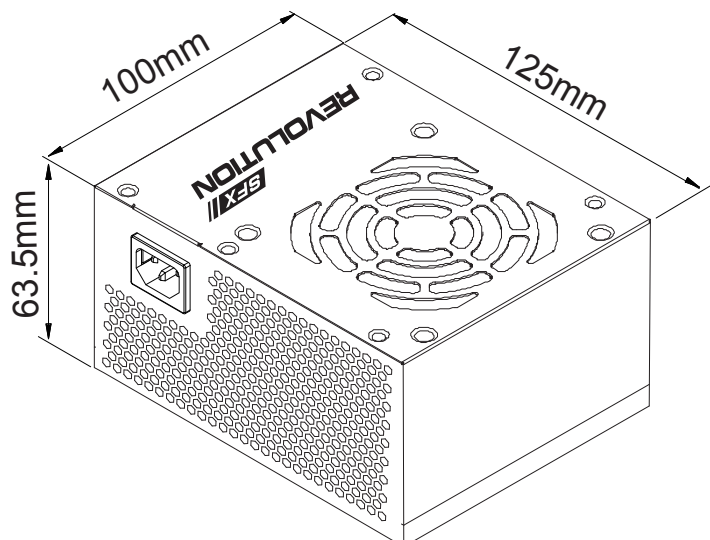
DC to DC converter circuit provides stable output voltage and higher efficiency

SafeGuard

Multiple protection circuitry of OPP, OVP, UVP, OCP (+3.3V/+5V), OTP, SCP, and SIP ensures your system safety

Dimension

100(L) * 125(W) * 63.5(H) mm



Cables & Connectors

Model	 Mainboard 24P (300mm)	 CPU 4+4P (8P) (400mm)	 PCI-E 6+2P (8P) (400mm)	 SATA (200/150/150mm)	 4P Molex (200/150/150/150mm)
ERV650SWT	1	1	2	6	4
ERV550SWT	1	1	2	6	4

*It is recommended to check if the length of cable is sufficient for your PC cases before purchase/ installation

Specifications

Model	AC Input	DC Output					
		+3.3V	+5V	+12V	-12V	+5Vsb	Total Power
ERV650SWT	100-240VAC 47-63Hz 8A	18A	15A	54A	0.3A	3A	650W
		90W		648W	3.6W	15W	
ERV550SWT	100-240VAC 47-63Hz 6A	18A	15A	45.8A	0.3A	3A	550W
		90W		549.6W	3.6W	15W	



Shipping Information			
Model		ERV550SWT	ERV650SWT
Bar code	EAN	4713157722614	4713157722621
	UPC	816163008834	816163008841
Box dimensions		240*200*90mm	
Gross Weight / unit		1.0kg	1.2kg
Carton dimensions		430*386*265mm	
Q'ty / carton		8	
Gross Weight / carton		8.8kg	10.4kg